

# T98

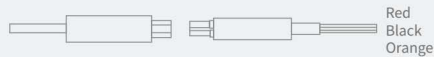
## 4G TRAFFIC RECORDER (LTE CAT 1/GNSS)

The 4G AI camera supports real-time position and real-time video recording, supporting infrared night vision, smart white light, human detection, and customize geo fence alarm, and emergency video uploads.

### Product Display

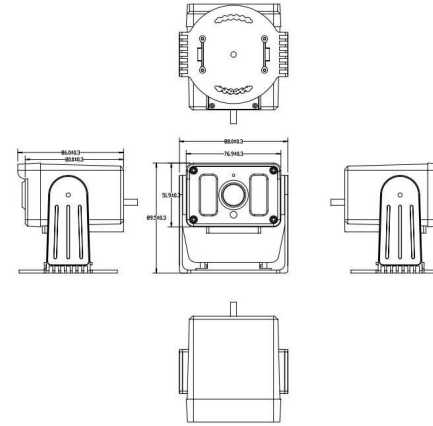


### Connection Definition



NO	Colour	Interface definition
1	Red	Power+
2	Black	Power GND
3	Orange	ACC

### Product List



### Physical specification

Dimensions L80\*W73\*H55MM

### Module

Name ES803  
Technology LTE Cat 1/GNSS

### GNSS

GNSS GPS, GLONASS, GALILEO, BEIDOU, AGPS, QZSS, SBAS  
Receiver 64 channel  
Tracking Sensitivity -160 dB  
Position Accuracy < 2.0 m CEP  
Velocity Accuracy < 0.1 m/s  
Hot Start < 1 s  
Warm Start < 4 s  
Cold Start < 28 s

### Cellular

Technology LTE Cat 1  
4G LTE Cat 1 bands LTEFDD:B1/B3/B5/B8/34  
LTETDD:B38/B39/B40/B41  
Data transfer LTE:Max10Mbps(DL)/Max5Mbps(UL)  
Data support SMS (TXT/PDU)

### Power

Input Voltage range 9-36V DC  
Power Consumption At12V<5mA(Online Sleep)  
At12V<150mA(Normal)

### Operating environment

Operating Temperature -25 °C to +70 °C  
Storage Temperature -40 °C to +85 °C  
Operating Humidity 5% to 95% non-condensing  
Ingress Protection Rating IP67

### Interface

Digital Inputs 1  
GNSS Antenna Internal High Gain  
Cellular Antenna Internal 4G/ High Gain  
LED Indication 1 status LED lights  
SIM Micro-SIM

### Features

System structure linux  
Chip SSC333E  
Resolution 2.0MP  
Sensor Resolution 1920\*1080  
Lens 3.6MM  
View angle 96°  
Pan-til Vertical: 50°  
Video compression standard H.265(default)/H.264FPS  
Video format MP4  
Electronic shutter Auto  
Backlight compensation Support  
Audio In Mic (G711\_A)  
Audio Out Speaker  
Storage TF Card (Max 128G)

### function

Video recording	After the device is powered on, the system automatically starts recording videos. 1080P resolution HD loop video
4G communication	The device can upload data information, video, driving track, vehicle alarm and so on through the mobile network
Real-time positioning	GPS&BD dual mode positioning can record vehicle trajectory
Human detection	When parking, if someone enter to the detective area, the alarm will be triggered
Restart button	If you need to restart the device after an exception is detected, you can press the red button on the body for 10s to trigger the restart mechanism